

## Hinges, Door, Remove and Install



### Remove

Front clamshell from vehicle – see operation "Front Clamshell, Remove and Install" in group A.

Door beam from vehicle – see operation "Door Beam, Remove and Install" in group A.

Hinge from A-pillar – mark position of hinge on A-pillar, then remove bolts, washers and shims.

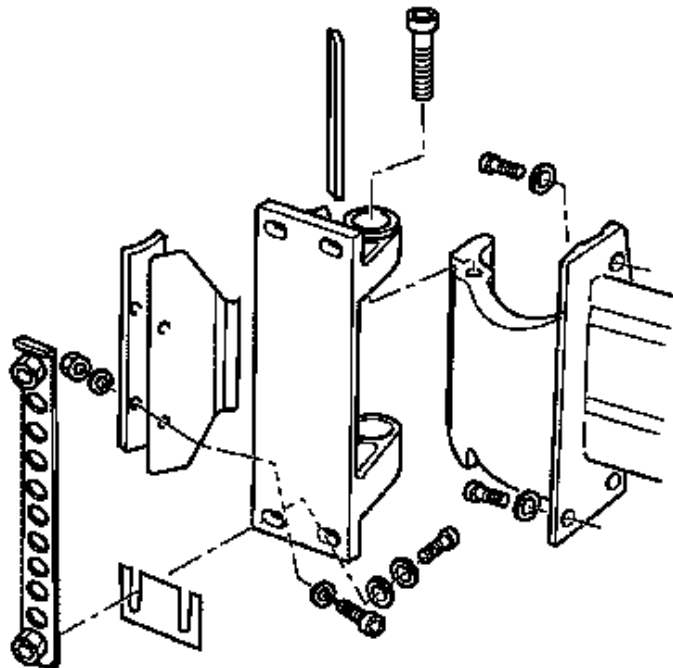


### Install

Hinge to A-pillar – align marks, install shims, washers and bolts.

Door beam to vehicle.

Front clamshell to vehicle.



T 9559